

Hand Winch Operating Instructions

Model : HW-1500 Capacity: 1500 Lbs(680kg)

WARNING: BEFORE USING THE WINCH, READ CAREFULLY THIS MANUAL AND KEEP IT FOR FUTURE NEEDS.

(A) USE

Lifting of the load must happen by rotating the crank clock-wise. When releasing the crank, the load remains suspended. The descent of the load must happen by rotating the crank counterclock-wise.

(B) WARNINGS FOR THE SAFETY OF YOURSELF AND OF OTHER PEOPLE

- The use of the winch is not allowed for lifting people or for lifting things over areas where people may loiter or pass by.
- Do not lift any load when the rope is completely unrolled. Make sure that there are three complete rope coils rolled on the drum.
- Use the winch only by hand and with the crank 195 mm long included in the equipment. In case it is difficult to rotate the crank with only one hand, must probably the maximum capacity had been exceeded.
- The winch must not be kept under continuous loading.

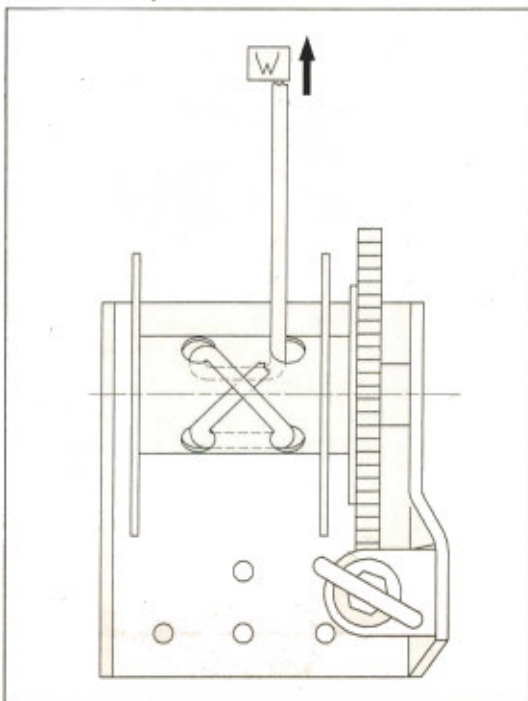
(C) GREASING

It is advisable to lubricate frequently the holes guiding the shafts and the drum hub, and to grease the teeth of the two gear and of the thread of the crank shaft.

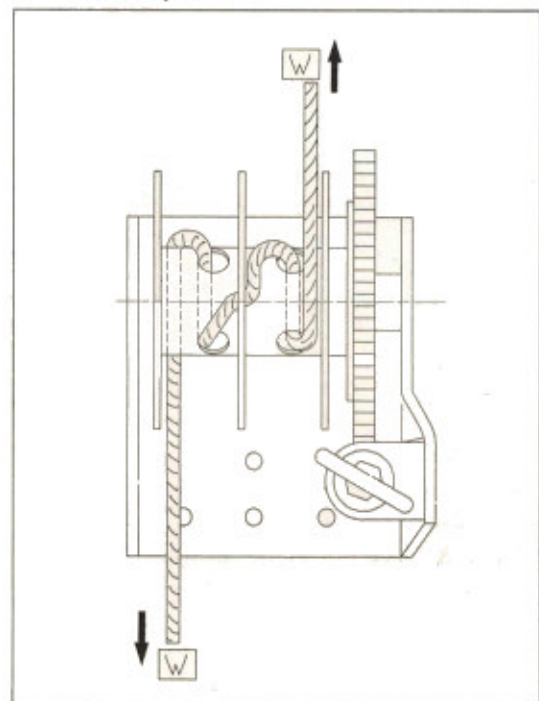
If installed in the open, it must be protected from dust, from dirt, rain, and should be more often checked and lubricated.

(D) FIXING OF ROPE TO DRUM:

① One Rope



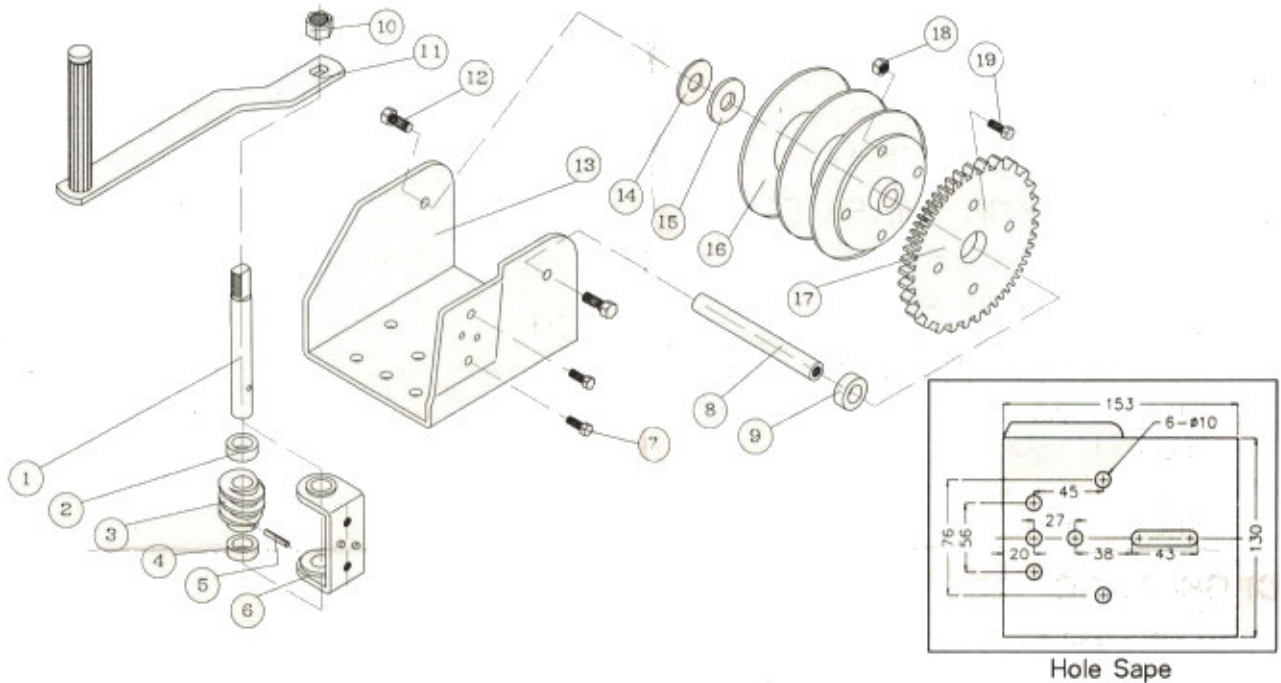
② Two Rope



(E) TECHNICAL INFORMATION:

- Capacity: 1500 Lbs (680kg)
- Lift Per Crank Rotation : 7.5mm
- Hand Force Required : 10 Lbs(4.5kg)
- Gear Ratio : 41:1
- Hub Diameter : ϕ 48mm
- Handle Length : 195mm
- Rope Storage Capacity : 47 M/ ϕ 3mm, 23M/ ϕ 4mm
- Unit Weight : 4.9kg

(F) EXPLODED VIEW & PARTS LIST:



REF.NO.	PART NO.	PART NAME	QTY.	REF.NO.	PART NO.	PART NAME	QTY.
1	W- 1	Worm Gear Shaft	1	11	W- 11	Handle	1
2	W- 2	Worm Gear Collar	1	12	W- 12	Screw (3/8"- 16UNC x20L)	2
3	W- 3	Worm Gear	1	13	W- 13	Winch Frame	1
4	W- 4	Worm Gear Collar	1	14	W- 14	Reel Washer	1
5	W- 5	Spring Pin	1	15	W- 15	Reel Washer	1
6	W- 6	Worm Gear Base	1	16	W- 16	Winch Reel	1
7	W- 7	Screw (5/16"- 18UNC x12L)	2	17	W- 17	Reel Gear	1
8	W- 8	Reel Shaft	1	18	W- 18	Nut (5/16"- 18UNC)	4
9	W- 9	Reel Collar	1	19	W- 19	Screw (5/16"- 18UNC x20L)	4
10	W- 10	Nut (M14 xP1.5)	1				