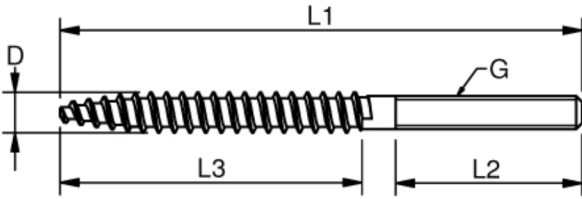


## DUAL THREAD SCREW

Stainless Steel - AISI 316



NO. RIGHT	NO. LEFT	G	D	L1	L2	L3	KG/100
A410503	A420503	M5	5	70	25	40	0,8
A410604	A420604	M6	6	80	35	40	1,3
A410806	A420806	M8	8	86	40	40	2,6



The dual thread pin allows direct installation into wood and if combined with the correct raw plug it is attachable to almost any wall. Ideal for inside thread solutions.

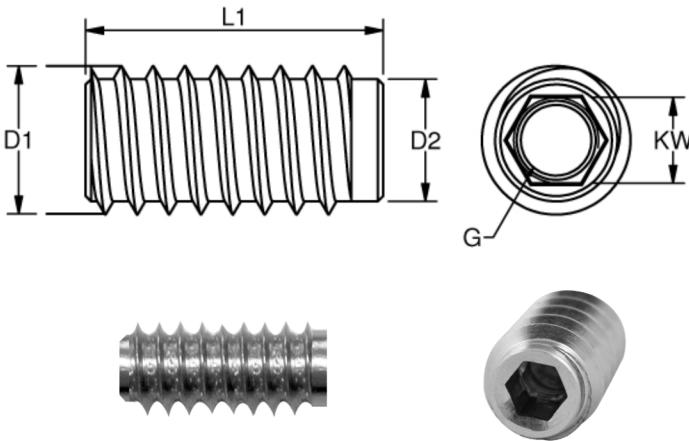


Dual thread screw tong. Page 61

## RAMPA SCREW

Stainless Steel - AISI 316

NO. RIGHT	NO. LEFT	G	L	D1	D2	KW	KG/100
A410520	A420520	5	20	11	8,5	5	0,6
A410624	A420624	6	24	12	9,5	6	1,1
A410828	A420828	8	28	14	11,5	8	1,6



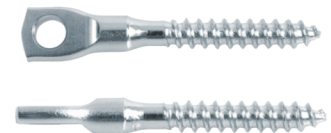
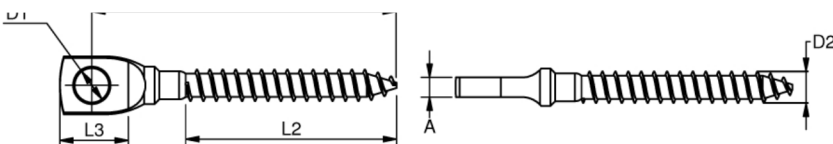
Rampa screw with inside thread left and right for anchoring into wood. Allows "hidden" adjustment of M5 - M8 threaded parts.

Inside allen key!

## SCREW EYES

Stainless Steel - AISI 316

ART. NO.	A	D1	D2	L1	L2	L3	KG/100
A433553	3,0	5,3	5	57	40	12	0,70
A434063	3,8	6,3	6	58	40	13	1,00



The screw eyes can be directly installed in wood and if combined with the correct raw plug can be attached to almost any wall. Use it as a small eyebolt for attachment to forks, toggle forks, shackles etc.