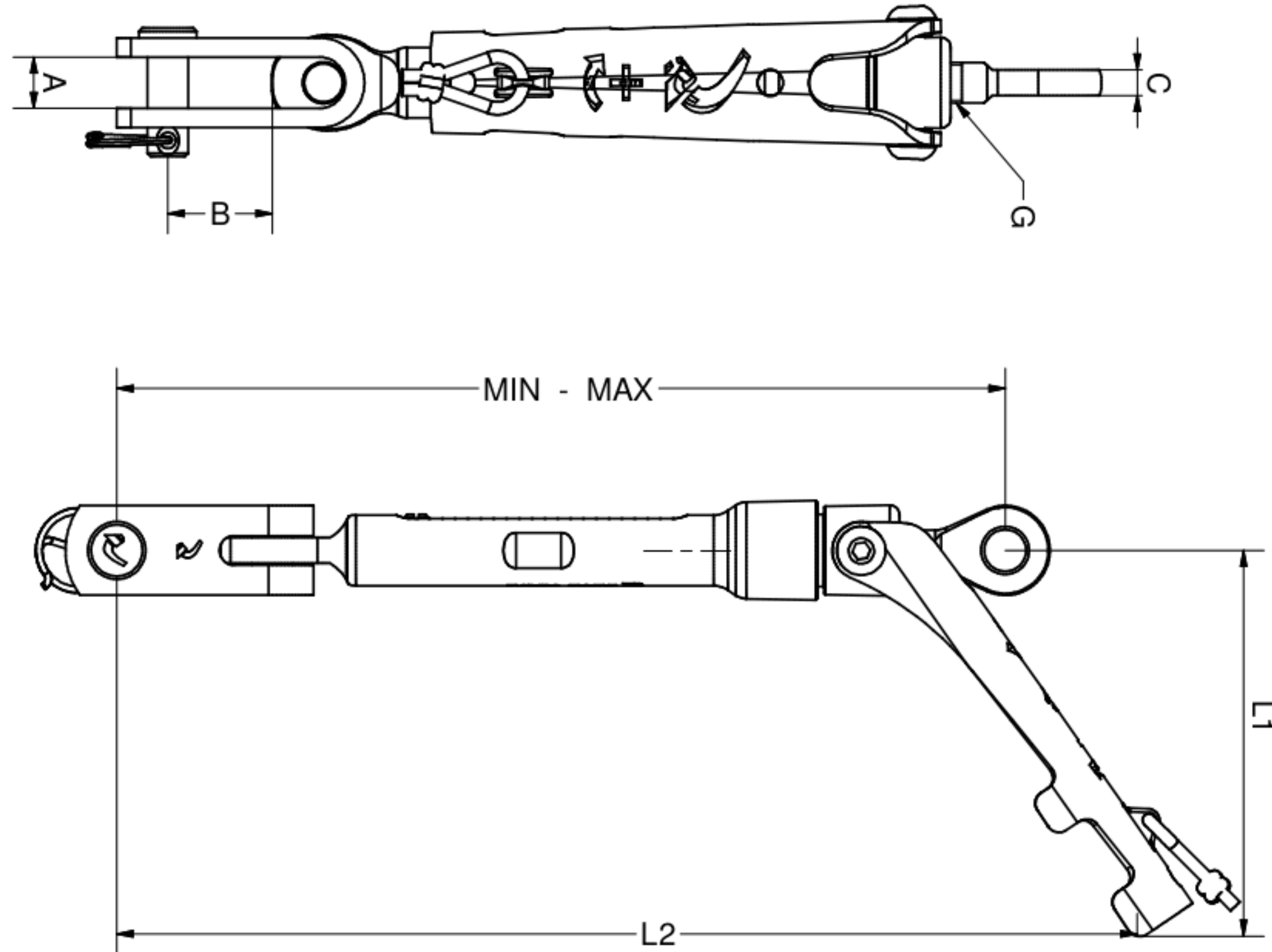


QUICK RACE TUNING - QRT - CALIBRATED

Polished Stainless Steel - AISI 316 - Toggle / Wire Terminal

ART. NO.	THREAD G	PIN	A	B	C	Min - Max	L1	L2	BL/LB	LB/100
QRT19014	1/4"	1/4"	5/16"	5/8"	5/32"	5 15/32" - 7 1/16"	2 7/32"	6 5/8"	2866	32
QRT19516	5/16"	5/16"	13/32"	25/32"	3/16"	6 13/16" - 8 3/4"	2 3/8"	7 15/16"	4850	54
QRT19716	7/16"	7/16"	19/32"	1 3/16"	5/16"	8 3/4" - 11 9/16"	3 5/32"	10 1/8"	10141	134
QRT19012	1/2"	1/2"	23/32"	1 11/32"	25/64"	10 7/16" - 13 3/4"	3 1/2"	12 1/2"	13448	201
QRT19058	5/8"	5/8"	25/32"	1 1/2"	15/32"	12 1/4" - 16 3/16"	4 1/2"	15 5/32"	21384	361

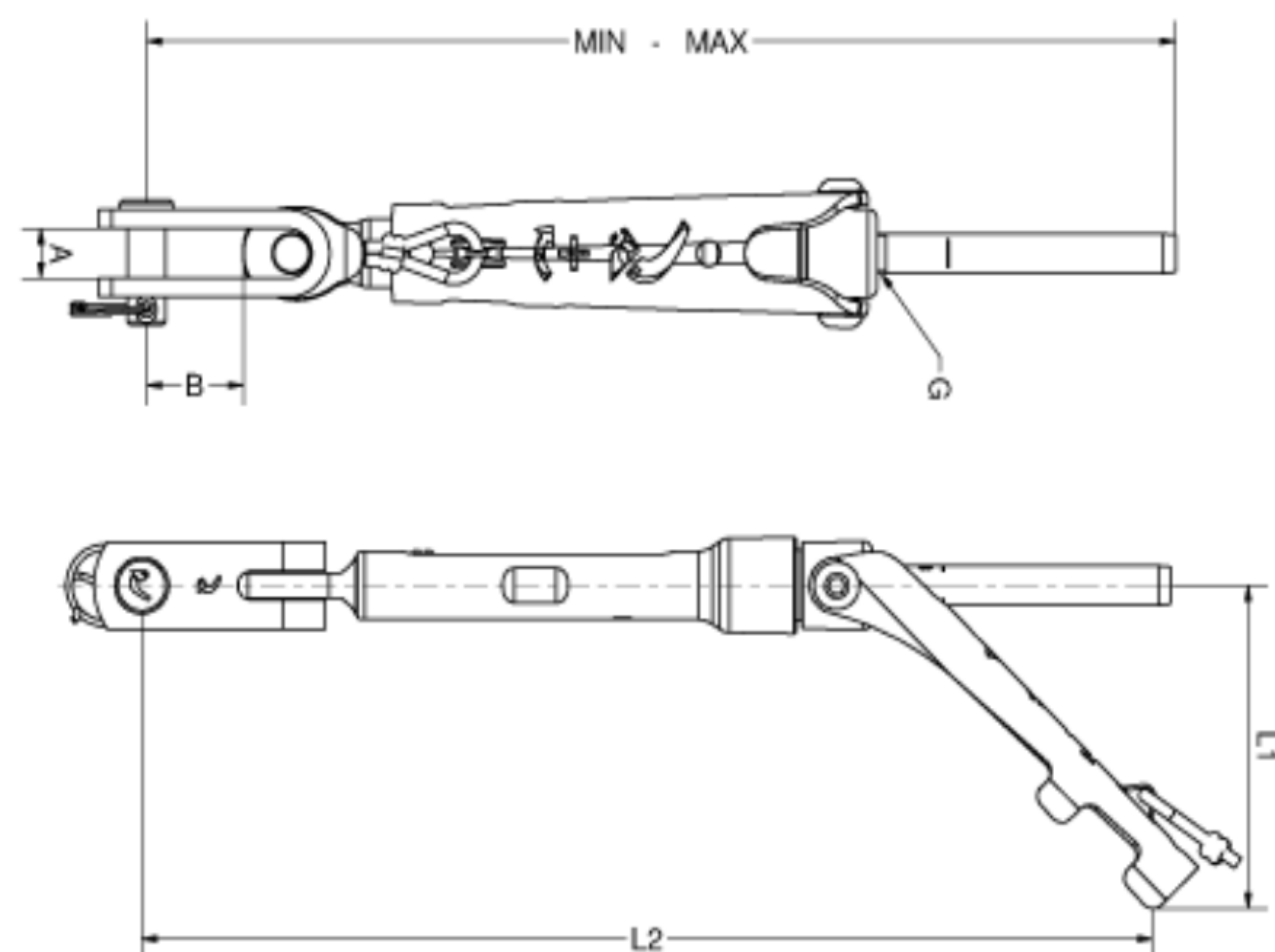


Community Design Registration 2012
design reg. -002094003-001

QUICK RACE TUNING - QRT - CALIBRATED

Polished Stainless Steel - AISI 316 - Toggle / Wire Terminal

ART. NO.	WIRE	THREAD G	PIN	A	B	L1	L2	Min - Max	BL/BL	BL/100
QRT25014	2,5	1/4"	1/4"	5/16"	5/8"	2 1/16"	6 5/8"	6 5/16" - 7 15/16"	2205	32
QRT03014	3,0	1/4"	1/4"	5/16"	5/8"	2 1/16"	6 5/8"	6 3/4" - 8 3/8"	2866	32
QRT32014	1/8"	1/4"	1/4"	5/16"	5/8"	2 1/16"	6 5/8"	6 3/4" - 8 3/8"	2866	32
QRT04516	4 - 5/32"	5/16"	5/16"	13/32"	25/32"	2 3/8"	7 15/16"	7 15/16" - 9 7/8"	3748	53
QRT05516	5 - 3/16"	5/16"	5/16"	13/32"	25/32"	2 3/8"	7 15/16"	8 3/16" - 10 3/16"	4850	55
QRT06716	6	7/16"	7/16"	19/32"	1 3/16"	3 5/32"	10 1/8"	10 7/16" - 13 3/16"	10141	134
QRT07716	7 - 9/32"	7/16"	7/16"	19/32"	1 3/16"	3 5/32"	10 1/8"	10 11/16" - 13 7/16"	10141	138
QRT08012	8 - 5/16"	1/2"	1/2"	23/32"	1 11/32"	4 11/32"	11 1/4"	13 1/16" - 16 3/16"	13448	218
QRT08058	8 - 5/16"	5/8"	5/8"	25/32"	1 1/2"	5 5/16"	14 1/4"	14 3/4" - 18 3/4"	19180	365
QRT10058	10	5/8"	5/8"	25/32"	1 1/2"	5 5/16"	14 1/4"	15 3/8" - 19 5/16"	21384	375



Community Design Registration 2012
design reg. -002094003-001