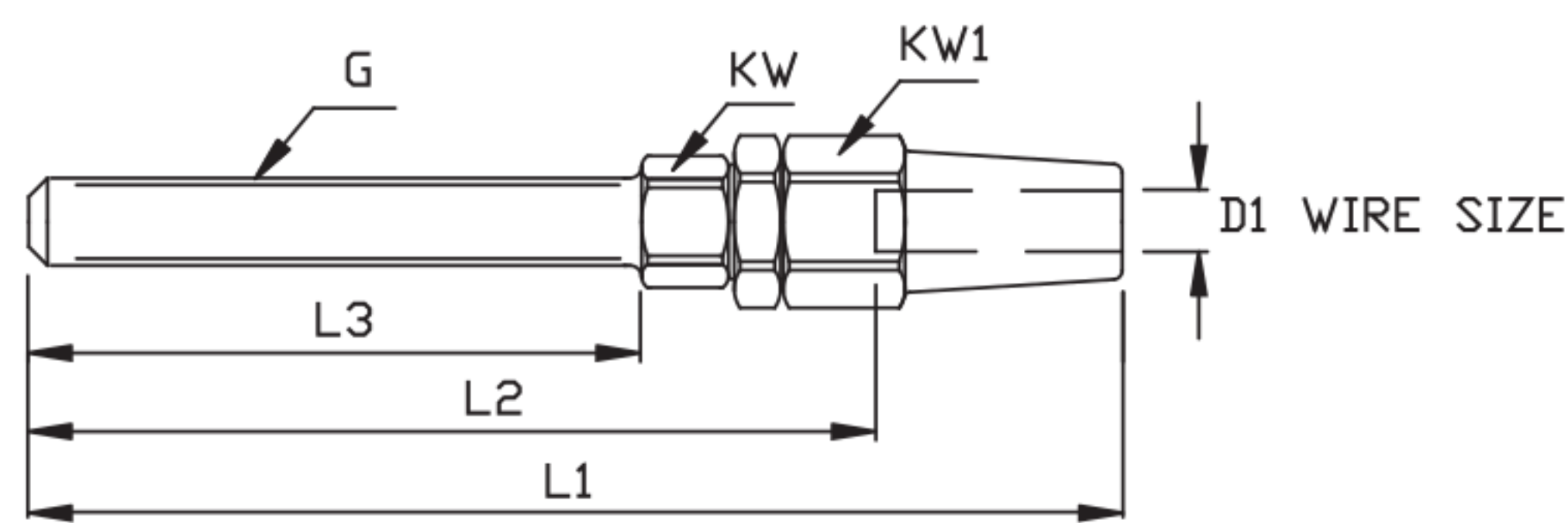


SWAGELESS THREAD TERMINALS

Polished stainless steel - AISI 316

NO. RIGHT	NO. LEFT	G	WIRE	L1	L2	L3	KW	KW1	BL/KG	KG/100
800305	810305	M5	3	79	58	42	10	12	750	4,2
800306	810306	M6	3	85	63	47	10	12	750	4,5
800406	810406	M6	4	92	63	47	12	14	1200	5,6
800408	810408	M8	4	102	72	57	12	14	1500	6,6
800508	810508	M8	5	111	78	57	13	16	2180	9
800510	810510	M10	5	117	84	63	13	16	2180	10
800610	810610	M10	6	128	90	63	16	19	3500	15
800612	810612	M12	6	145	107	80	16	19	3700	17
800712	810712	M12	7	153	110	80	18	21	4700	22
800714	810714	M14	7	162	119	89	18	21	4700	25
800812	810812	M12	8	162	113	80	19	24	5100	28
800814	810814	M14	8	171	122	89	19	24	5600	31
800816	810816	M16	8	182	133	100	19	24	5600	40
801016	811016	M16	10	190	139	100	24	27	8300	48
801220	811220	M20	12	227	159	120	27	32	12000	79
801422	811422	M22	14	264	191	140	30	36	17000	124
801624	811624	M24	16	308	227	170	32	41	21000	175

Note: All break loads are determined by wedges (jaws) and thread

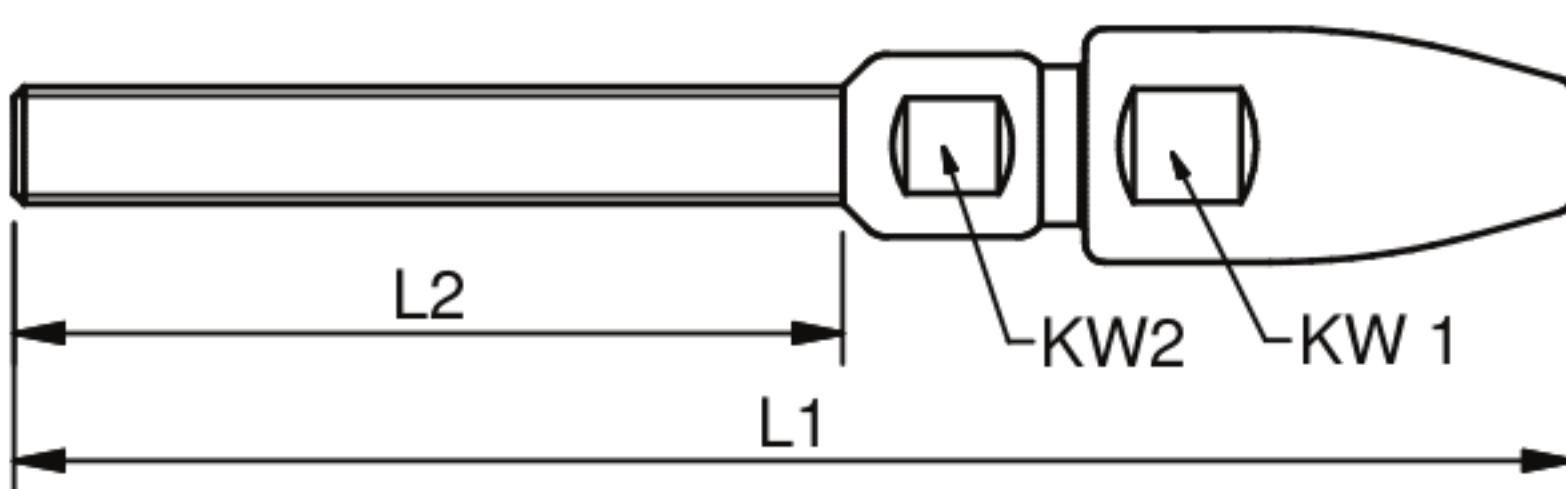


Safe, reliable and machine free swaging of wire with the fastest swageless system on the market. The threaded swageless terminal is easy to use and ideal for site work where a professional swaging would normally be required. The swageless thread terminal is Lloyd's approved and also available with UNF thread on request. See instructions page 14.

SWAGELESS THREAD TERMINAL WITH CONE

Stainless steel - AISI 316

ART. NO.	WIRE	THREAD	KW1	KW2	L1	L2	BL/KG	KG/100
SC801624	16 - 5/8"	M24	42	32	318	170	21000	198,4
SC801927	19 - 3/4"	M27	44	34	344	180	23000	256,8
SC802230	22 - 7/8"	M30	50	41	392	200	28000	367,8
SC802636	26 - 1"	M36	66	50	446	220	41000	698,2



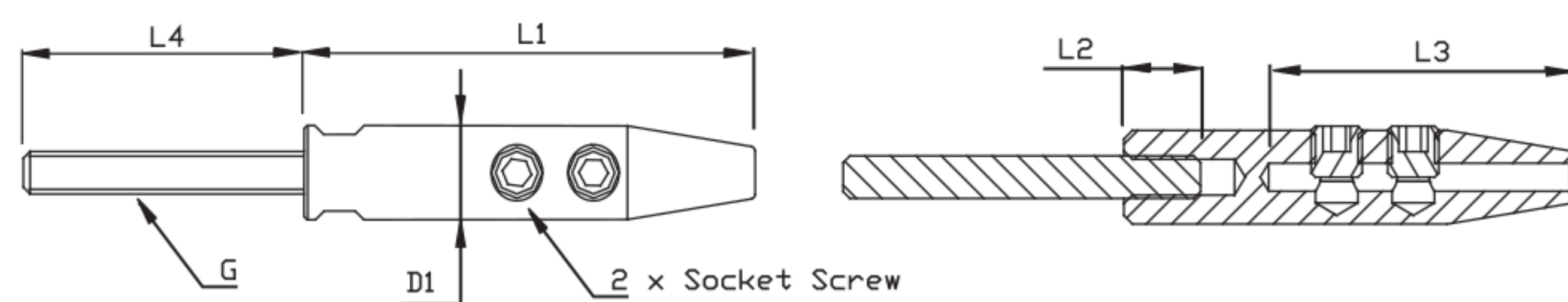
In addition to the Lloyd's approved swageless system, the swageless cone terminal for 1x19 wire construction enables safe and reliable wire attachment up till Ø 26 mm diameter. See instructions page 15.



DIY TERMINAL

Stainless steel - AISI 316

ART. NO	G	WIRE	D1	L1	L2	L3	L4	BL/KG	KG/100
A640305	M5	3	11	53	8	36	34	300	3,4
A640406	M6	4	13	58	9	38	37	400	5,4
A640406L	M6	4	13	58	20	38	50	400	7
A640506	M6	5	14	65	9	45	37	500	6,4
A640608	M8	6	16	73	12	47	45	600	10,7



The Do It Yourself terminal is a simple alternative to the swageless terminals as it is fixed to the wire only by use of "allen-headed" screws. Break loads are, therefore, lower than average. The fittings are delivered with external right handed thread stud only, but as this can be removed, they can be combined with the rest of the WDS program and thus offer a wide range of possible DIY solutions. The fittings can be reused and are as such a good solution for private use.



The DIY terminal has inside thread - delivered with removable thread pin!

